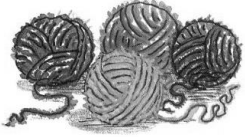





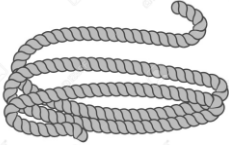



ENGLISH REVIEW WORKSHEET: PRI

UNIT 4

Name:	Date:	Class:3 <sup>rd</sup> ____	English Department Teacher: María Jesús Alcaíno
-------	-------	----------------------------	--

I. Look at the pictures. Choose the correct alternative.

<b>1.</b>	<b>2.</b>	<b>3.</b>	<b>4.</b>
			
a. wood	a. barn	a. logs	a. nurse
b. wool	b. pocket	b. ground	b. horse
c. faster	c. bigger	c. little	c. house
d. axe	d. axe	d. watch	d. exciting

<b>5.</b>	<b>6.</b>	<b>7.</b>	<b>8.</b>
			
a. needle	a. hamster	a. builder	a. nails
b. balloon	b. work	b. ruler	b. peach
c. scissors	c. hammer	c. saw	c. smaller
d. rope	d. pipe	d. camera	d. cow

II. Read and choose the correct alternative.

<b>1. River</b>	<b>2. Fields</b>	<b>3. Wood</b>	<b>4. String</b>	<b>5. Rope</b>
a. río	a. cielo	a. escalar	a. cuadro	a. ropa
b. relámpago	b. cinturón	b. clavos	b. serrucho	b. cuerda
c. rueda	c. campos	c. madera	c. carpintero	c. rana
d. rápido	d. bolsillo	d. trabajo	d. cuerda	d. establo

III. Listen to the dialogue *“Save Henry, The visitor”*, part 4 and choose the correct alternative to fill in the gaps.

1. Can you tell me about the \_\_\_\_\_?
  - a. visitor
  - b. morning
  - c. farm
  - d. cow
  
2. The farm's great but last night there was a terrible storm. Look at the \_\_\_\_\_!
  - a. tractor
  - b. storm
  - c. channel
  - d. henry
  
3. But there are carpenters here with saws and \_\_\_\_\_ and nails.
  - a. plastic
  - b. hammers
  - c. door
  - d. metal
  
4. The plumber is fixing new plastic \_\_\_\_\_.
  - a. water
  - b. sky
  - c. pipes
  - d. pink
  
5. Hmm... do you know about 'My TV'? Yes, it's a \_\_\_\_\_ for children.
  - a. phone
  - b. perhaps
  - c. carpenters
  - d. competition
  
6. We can tell people about Pear Tree Farm! Perhaps we can save\_\_\_\_\_.
  - a. horse
  - b. Henry
  - c. house
  - d. save